



LRC/TLRC Filter Pump

OPERATION/INSTALLATION INSTRUCTIONS

PLEASE read this manual before installing the pump

Before installation, be sure to read all instructions and warnings carefully. Refer to product dataplate(s) for additional operation instruction and specifications.

IMPORTANT SAFETY INSTRUCTIONS

When installing and using this electrical equipment, basic safety precautions should always be followed, including the following:



WARNING!

RISK OF SUCTION ENTRAPMENT HAZARD WHICH, IF NOT AVOIDED, MAY RESULT IN SERIOUS INJURY OR DEATH.

Pumps can quickly generate high suction, which poses the risk of entrapment if improperly connected to suction outlets. Disembowelment, entrapment, or drowning is possible when body parts or hair contact damaged, cracked, missing, or unsecured drain covers and suction outlets. **Pumps and fittings shall be installed in accordance with the latest NSPI or IAF standards, CPSC guidelines, and national, state and local codes, to minimize this risk.** Some of those requirements are as follows. Always consult the latest regulations to ensure that your installation meets the necessary requirements to minimize suction entrapment.

1. All fully submerged Suction Outlet Covers shall be listed to ANSI/ASME A112.19.8 standard.
2. Do not use a pump in an installation where there is only one fully submerged single suction outlet.
3. If main drains are installed in your pool, there must be a minimum of two for each pumping system, and each drain must include a Listed Suction Outlet Cover. Wading pools may have additional requirements to minimize entrapment hazards.
4. Skimmers may supply 100% of the required flow to the pump, and must be vented to atmosphere. A skimmer is not considered a second main drain.
5. When two suction outlets are used, the maximum system flow rate shall not exceed the rating of any one of the listed suction outlet covers installed. When more than two are used, the sum of the ratings shall be at least twice the maximum system flow rate.
6. Each Suction Outlet Cover shall be separated by a minimum of three feet (3'), measured from center of suction pipes.
7. Avoid installing check valves. If check valves must be used, ensure that the installation conforms to applicable standards.
8. Never use the pool or spa if a Suction Outlet Cover is damaged, cracked, missing, or not securely attached. Suction outlet cover must be attached with stainless steel screws supplied with the cover. If screws are lost, order replacement parts from your supplier.

NOTE: For the latest NSPI or IAF Standards, contact the Association of Pool and Spa Professionals (APSP) at www.theapsp.org or (703) 838-0083, ext. 301. For the latest Consumer Product Safety Commission (CPSC) Guidelines, contact the CPSC at www.cpsc.gov or (301) 504-7923. "Guidelines for Entrapment Hazards: Making Pools and Spas Safer" can be viewed at www.cpsc.gov/cpscpub/pubs/363.pdf



WARNING!

To reduce risk of injury, do not permit children to use this product unless they are closely supervised at all times.



WARNING!

(For cord & plug connected units) **Risk of Electric Shock.** Connect only to a grounding type receptacle protected by a ground-fault circuit-interrupter (GFCI). Contact a qualified electrician if you cannot verify that the receptacle is protected by a GFCI.



WARNING!

(For cord & plug connected units) **Do not bury cord.** Locate cord to minimize abuse from lawn mowers, hedge trimmers and other equipment.



WARNING!

(For cord & plug connected units) To reduce the risk of electric shock, if the cord is damaged, replace it immediately with the same type of cord which is available from your local dealer. The new cord must be installed by a qualified electrician. Inspect the cord annually.



WARNING!

(For hot tub and spa pumps) Do not install within an outer enclosure or beneath the skirt of the hot tub or spa, unless so marked.



WARNING!

(For cord & plug connected units) To reduce the risk of electric shock, **do not use an extension cord** to connect unit to electric supply; provide a properly located outlet.



WARNING!

Locate the pump at least five feet (1.5M) from the pool to prevent it being used as a means of access to the pool by young children. (See ANSI/NSPI-8 1996 "Model Barrier Code For Residential Swimming Pools, Spas and Hot Tubs").

The following caution applies only to installations in the U.S.A.



WARNING!

This pump is for use with storable pools only. Do not use with permanently installed pools. A storable pool is constructed so that it may be readily disassembled for storage and reassembled to its original integrity. A permanently installed pool is constructed in or on the ground or in a building such that it cannot be readily disassembled for storage.

IMPORTANT

This product has been carefully inspected and packed at our factory. As the carrier has assumed full responsibility for its safe arrival, any claim for damage to the shipment, either visible or concealed, must be made on the carrier.

GENERAL

This is a self-priming pump, which means that it can raise water to itself through a dry suction line without using valves, provided the pump case

and strainer body are full of water before the motor is started. Its self-priming ability exceeds the requirements of Standard No. 17 of the National Sanitation Foundation. Nevertheless, we recommend the use of a swing check valve in the suction pipe, at or below water level, if the suction lift is more than 5 feet (1.5m) or if the dry suction line would be more than 10 feet (3.0 m) long. This arrangement makes the initial priming easy and keeps the suction pipe primed at all times. The pump is built from glass-reinforced thermoplastic mouldings. These eliminate all corrosion problems and insulate the water passages from the electric motor. A closed impeller, which requires no field adjustment to maintain efficiency, runs inside a multi-vane diffuser built into pump case. Ample running clearances between impeller and case promote long life and prevent seizure should sand enter the pump. The impeller hub forms an insulating sleeve over the motor shaft and carries the mechanical shaft seal. This seal, which has a pure-carbon rotating face working against a ceramic seat, requires no attention until leakage at the shaft shows that replacement is necessary. For easy routine servicing, the built-in hair and lint strainer has a transparent cover. For easy access to the working parts, the removal of six small bolts allows the motor, bracket, seal, and impeller to be withdrawn as a unit, leaving the pump case and its base in place with the piping undisturbed.

INSTALLATION

Locate the pump as close to the pool as possible, but keep at a minimum distance of at least five feet (1.5M) to prevent it being used as a means of access to the pool by young children (See previous Warning). Locate the pump preferably in a dry, shaded, and well-ventilated area. Should it be impossible to put the pump at or below deck level, choose the lowest possible position. This simplifies priming, and adds to the pressure developed by the pump. Prepare a hard, level surface that is large enough to accommodate the associated equipment. Bear the following in mind: Drainage of the filter room or pit; Ventilation of the motor; Access for servicing and winterizing the equipment; Protection of the equipment.

PIPING

The pump has female sockets to receive 1-1/2" NPT (38mm) threaded fittings. Keep the piping as simple as possible, and avoid connecting an elbow directly to the pump inlet (use a length of straight pipe to allow a proper entry of the water). Keep as much of the suction pipe as possible below the water level of the pool because this will reduce the priming time, but arrange the pipe to rise continuously toward the pump to prevent high spots that could form air pockets. Support the pipes independently so that they do not place strain on the pump. Install gate valves in the pump suction and pool return lines close to the filter system for convenient servicing of the equipment. These valves are essential if the equipment is installed below deck level. Keep the gate valve in the suction line fully open during operation, and make sure that its gland is kept tight to prevent the entrance of air around the valve stem. Take care during installation to keep the pipes clean, and make sure that the suction system is absolutely airtight.

MOTOR DETAILS

PUMP MODEL	HP RATING OF MOTOR	VOLTAGE	MAX. FULL-LOAD CURRENT	MAX. KW OUTPUT
5LRC-S1	1/2	115	8.6A	0.37
7LRC-S1	3/4		10A	0.56
7LRC-5-S1			8.6A	0.37
1LRC-5-S1	1		9A	0.37
15LRC-5-S1	1-1/2		9A	0.37
15TLRC-5-S1	1-1/2 1/5		9A	0.37
15LRC-7-S1	1-1/2		10A	0.56
15TLRC-7-S1	1-1/2 1/5		10A	0.56

ELECTRICAL CONNECTIONS

Check that the information on the pump nameplate corresponds to the power supply. Employ a competent electrician to make the wiring installation in accordance with the local electrical code. Every motor requires a fused disconnect switch. LRC pumps are suitable for 115V only. LRC pumps are equipped with a splash cover and a 25 foot (7.5m) three conductor cord ending with a three-pin grounding plug.

CAUTION! Never run the pump without water in the pump case because lack of water can damage the shaft seal.

STARTING UP

For 2-speed pumps, start and prime the pump at HIGH SPEED only. Do not change to LOW SPEED before the pump is working properly. At HIGH SPEED (3450 rpm approx.), the motor develops its full horsepower and the pump generates high capacity and pressure. Use high speed for maximum filtration at peak periods and whenever turbidity levels are high. At other times switch to LOW SPEED (1725 rpm approx.). For backwashing and vacuuming, HIGH SPEED is required. If the pump is supplied as part of a complete filter system, follow the starting-up procedure described in the separate instructions for the complete filter system. In other cases, proceed as follows:

- 1). Close the gate valves in the suction and return lines. Remove the cover from the hair and lint strainer and fill the pump completely with water. Replace the cover.
- 2). Open the gate valves in the suction and return lines and start the pump. If the pump fails to produce a full flow of water within four or five minutes, switch off the power and repeat Step 1. If the pump still fails to work, check for air leaks at the strainer cover, suction line connections, and valve stem glands before repeating Step 1.
- 3). After about ten minutes of operation check the pool return fittings for air bubbles. A continuous flow of air indicates leaks in the suction line. Locate and correct any leaks immediately.

CONTROLLING THE OUTPUT

Keep the gate valve in the suction line fully open during operation. Should it be necessary to control the output, use a valve in the return line.

CLEANING THE HAIR AND LINT STRAINER

Switch off the power. Close the valves in the suction and return lines. Remove the Ring-Lok and cover and lift out the strainer basket. Clean and replace the basket. Take care to seat the O-ring properly. Place cover back on, replace Ring-Lok (hand-tighten only) and re-open valves. Put pump back into operation.

NOTE: Do not re-tighten Ring-Lok during operation.

LUBRICATION

The pump requires no lubrication.

DRAINING

There is a drain plug on the pump case. Note that the valves in the suction and return lines must be open to allow complete draining of the pump, but that other provisions may be necessary for draining the filter, heater, and pipe lines.

MAINTENANCE

The pump can be serviced without breaking the pipe connections. Close the gate valves, **SWITCH THE ON/OFF SWITCH TO OFF AND PULL THE PLUG FROM THE RECEPTACLE** before starting work on the pump.

WARNING! During periods when the pump is not in use, and always during servicing, switch the ON/OFF switch to OFF and pull the plug from the receptacle.

NOTE: THE PUMP SHALL BE SERVICED BY QUALIFIED PERSONNEL ONLY.

TO DISMANTLE PUMP

NOTE: VERIFY THE ELECTRICAL POWER IS DISCONNECTED BEFORE YOU CONTINUE. Note: Numbers in brackets refer to item numbers in Figure 2.

1. Remove the back plate (26) by taking out four self-tapping screws (27).
2. Disconnect the black wire (25) from the switch (22).
3. Remove the splash cover (16) by taking out three self-tapping screws (17).
4. To gain access to the motor shaft, remove the motor cover by removing one screw. There is no need to disconnect the power cord (24) from the motor (1), unless the motor or the power cord is to be replaced or repaired.
5. Remove the six screws (8) and nuts (9) that hold the pump together, and withdraw the motor (1), bracket (5), seal (4) and impeller (6) from the pump case as a unit.
6. Prevent the motor shaft from rotating by inserting a screwdriver in the slot in the end of the shaft at the back of the motor, and unscrew the impeller (6).
7. Remove the four long screws that hold the motor (1) to the bracket (5).

INSPECTION

Inspect all parts of the pump for wear or damage, and order replacements as necessary. Check the shaft seal (4) carefully. Look for cracks in the ceramic seat. Check the seal faces for wear and nicks. Flex the rubber parts and check them for holes and cracks. Replace the complete seal if any part is damaged, or if the seal leaks. Do not use old parts.

SHAFT SEAL REPLACEMENT

Take great care while handling the shaft seal (4) to avoid damage to its carbon and ceramic sealing faces.

TO REMOVE OLD SHAFT SEAL

After dismantling the pump and removing the impeller as already described, pull the rotating parts of the seal from the hub of the impeller (6). Press or tap the stationary section of the seal from the bracket (5).

TO FIT NEW SEAL

DO NOT USE OIL OR GREASE ON THE SEAL PARTS, because either may damage the thermoplastic material of the pump through overheating or chemical reaction. Make sure that the pump parts are clean, but be careful not to scratch the surfaces that come into contact with the seal. Moisten the rubber cup of the new stationary section with WATER. Protect the sealing surface with a disc of clean cardboard, and use a light mallet and small wooden block to tap the seal gently into the bracket (5). Be sure that the sealing surface faces the pump. Reassemble the bracket (5) onto the motor (1). Moisten the bore of the new rotating seal assembly with WATER. Push the assembly into position on the hub of the impeller (6) with its sealing surface facing outward. Prevent the motor shaft from rotating by inserting a screwdriver in the slot in the end of the shaft at the back of the motor, and screw the impeller (6) to the shaft by hand. Make sure that the square ring

gasket (7) is properly positioned in its groove on the face of the bracket (5), then reassemble the bracket (5) to the pump case (10). Apply even tension to the screws (8) and nuts (9) by tightening opposite pairs in turn. Reassemble the splash cover. Reinstall the pump and run it for 5 minutes to ensure that no water leaks from the pump case (which would indicate improper seal installation). If any water is observed leaking from the pump case, repeat seal installation procedure.

TROUBLE SHOOTING

MOTOR DOES NOT START:

Disconnect switch open; Fuses blown or thermal overload open; Motor windings burned out; Defective starting switch inside motor; Disconnected or defective wiring.

MOTOR DOES NOT REACH FULL SPEED:

Low voltage; Motor windings connected for wrong voltage; Shaft binding or impeller rubbing.

MOTOR OVERHEATS (Protector trips):

Low voltage; Motor windings connected for wrong voltage; Inadequate ventilation.

PUMP DELIVERS NO WATER:

Pump not primed; Closed valve in suction or discharge line; Suction or discharge line plugged; Leakage of air into suction system; Impeller plugged.

LOW PUMP CAPACITY:

Check setting of dial valve; Valve in suction or discharge line partly closed; Suction or discharge line partly plugged; Suction or discharge line too small; Pump running at reduced speed (see above); Plugged basket in skimmer or hair in lint strainer; Dirty filter; Impeller plugged.

LOW PUMP PRESSURE:

Check setting of dial valve; Pump running at reduced speed (see above); Discharge valve or inlet fitting opened too much; Leakage of air into suction system.

HIGH PUMP PRESSURE:

Discharge valve or inlet fittings closed too much; Return lines too small; Dirty filter.

NOISY PUMP AND MOTOR:

Plugged basket in skimmer or hair in lint strainer; Defective motor bearings; Valve in suction line partly closed; Suction line partly plugged; Vacuum cleaner hose plugged or too small; Piping causing strain on pump case; Impeller rubbing on pump case.

LEAKAGE OF WATER AT SHAFT:

Shaft seal requires replacement.

AIR BUBBLES AT INLET FITTINGS:

Leakage of air into suction line at connections; Cover of hair and lint strainer not airtight; Restriction in suction line; Low water level in pool.

FIGURE 1 - Dimensions

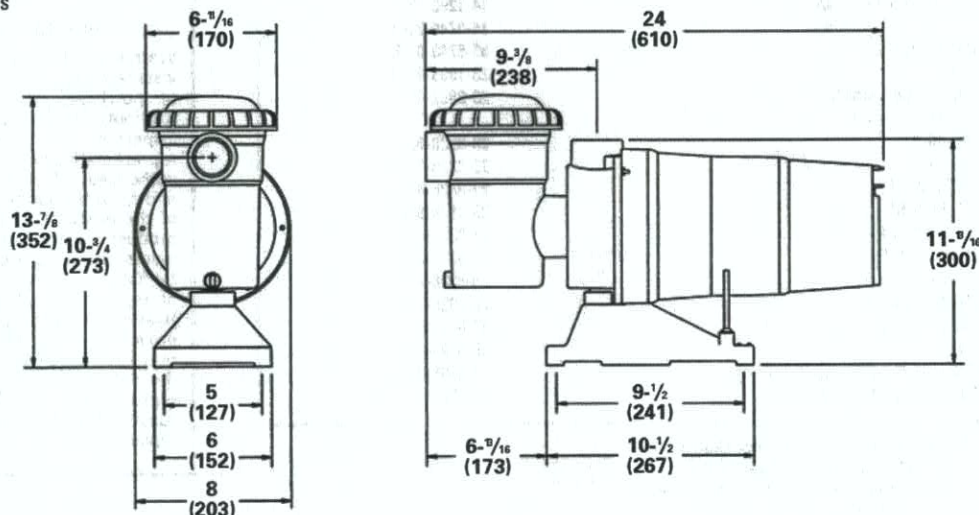
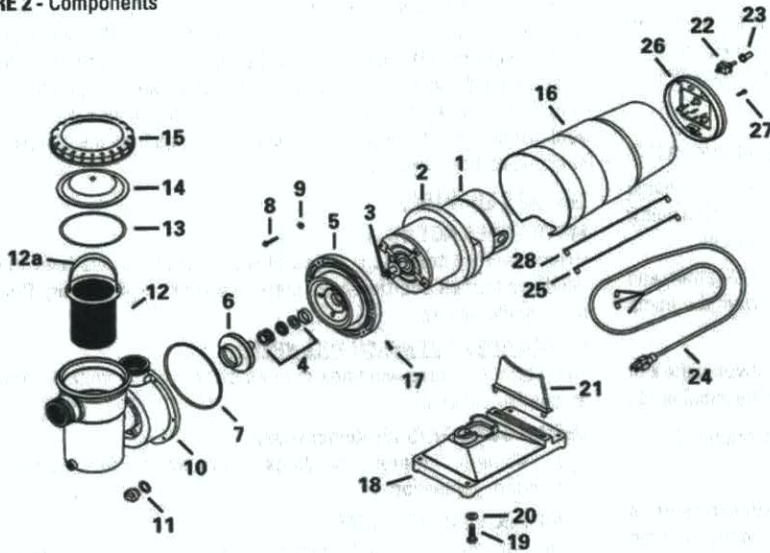


FIGURE 2 - Components



Item	Description	Part Number
1	Motor (Contact your local pool dealer)	
2	Gasket	22-9018-30-R
3	Flinger	22-3403-01-R
4	Mechanical Shaft Seal Assy.	10-0802-08-R
5	Bracket	02-2545-14-R
6	Impeller for:	
	Model 5LRC-S1	05-3911-07-R
	Model 7LRC-5-S1	05-3911-07-R
	Model 1LRC-5-S1	05-3911-07-R
	Model 15LRC-5-S1	05-3911-07-R
	Model 15TLRC-5-S1	05-3911-07-R
	Model 15LRC-7-S1	05-3912-06-R
	Model 15TLRC-7-S1	05-3912-06-R
7	Square Ring Gasket	13-1255-05-R
8	Hex Washer Head Screw 10-24 x 1-1/4" Lg (6 per bag)	14-2223-01-R6
	Hex Washer Head Screw 10-24 x 1-1/4" Lg (100 per bag)	14-2223-01-R100
9	Hex Flange Nut #10-24 (6 per bag)	14-3971-03-R6
	Hex Flange Nut #10-24 (100 per bag)	14-3971-03-R100
10	Strainer/Case Assembly	16-0300-09-R
11	Drain Plug and Gasket (2 per bag)	31-1609-06-R2
	Drain Plug and Gasket (50 per bag)	31-1609-06-R50
12	Strainer Basket with handle	16-0729-02-R
12a	Strainer Basket Handle	89-7303-10-R
13	Strainer O-ring	47-0352-09-R
14	Strainer Cover	39-0753-04-R
15	Strainer Nut	42-1678-09-R
16	Splash Cover	85-8733-10-R
17	Pan Head Screw #8 x 1/2" Lg (3 per bag)	14-2256-01-R3
18	Pump Base	12-2506-27-R
19	Hex Cap Screw #3/8-16 x 1-1/4" Lg	14-1296-13-R
20	Washer	14-0740-25-R
21	Motor Support Bracket	85-8743-00-R
22	Toggle Switch	23-1993-00-R
23	1 Piece Rubber Boot and Nut	23-3882-01-R
24	Power Cord with Plug for:	
	Model 5LRC-48-S1	23-8328-60-R
	Model 7LRC-48-S1	23-8328-70-R
	Model 7LRC-5-48-S1	23-8328-60-R
	Model 1LRC-5-48-S1	23-8328-60-R
	Model 15LRC-5-48-S1	23-8328-60-R
	Model 15TLRC-5-48-S1	23-8328-60-R
	Model 15LRC-7-48-S1	23-8328-70-R
	Model 15TLRC-7-48-S1	23-8328-70-R
25	Insulated Wire (Black)	23-8328-50-R
26	Black Plate	85-8723-10-R
27	Pan Head Screw #8 x 3/4" Lg (4 per bag)	14-2365-09-R4
28	Insulated Wire (Red) (for 2-speed only)	23-8328-51-R

**CARVIN EQUIPMENT INC
LIMITED WARRANTY**

Carvin Equipment Inc. ("Carvin") warrants "Carvin" pool products to be free of defects in material and workmanship for a period of 12 months from the date of purchase with the following exceptions:

Light Bulbs: Full Moon Watercolor LED light bulbs are warranted for 12 months from the date of purchase; incandescent bulbs are warranted for 90 days from the date of purchase.

Misc: Filter elements, DE grids, white-goods, strainer baskets, strainer basket "flap" and "priming tube", pressure gauges, square rings, o-rings, gaskets, and all replacement parts are warranted for 12 months from the date of purchase.

**CONDITION IN ORDER TO EXERCISE
THE WARRANTY:**

In order to activate this 12 months warranty, "Carvin" products must be registered with "Carvin" by either of the following method:
Mail-in the Warranty Registration Card.
Online at www.carvinpool.com

All defects must be denounced within 72 hours in order to avoid the spreading to other equipment, failing which; the present warranty will not be honoured. This warranty is non transferable and extends only to the original retail buyer and only during the time in which the original retail buyer occupies the site where the product was originally installed. "Carvin" warranty obligation with regard to equipment which it does not itself manufacture is limited to the warranty actually extended to "Carvin" by its suppliers (i.e. motors).

This warranty applies to products used in swimming pools, spas, & aquaculture applications only and does not apply to any product which has been subjected to negligence, alteration, accident, abuse, misuse, improper installation, abrasives, corrosion, improper voltage supply, vandalism, civil disturbances, or acts of God (including but not limited to damage caused by freezing, lightning strikes, and other damage caused by catastrophic events). The only warranties authorized by "Carvin" are those set forth herein. "Carvin" does not authorize other persons to extend any warranties with respect to its products, nor will "Carvin" assume liability for any unauthorized warranties made in connection with the sale of its products. "Carvin" will not be responsible for any statements that are made or published, written or oral, which are misleading or inconsistent with the facts as published in the literature or specifications furnished by "Carvin".

WARRANTY CLAIM PROCEDURE

Warranty claims shall be made by contacting the installer/seller, builder, dealer, or retailer (point of purchase) or the "Carvin" pool products distributor in your area. All equipment must be inspected by a local "Carvin" authorized representative or at the factory before warranty is authorized. All charges or expenses for freight to and from the factory, removal and reinstallation of the products, or installation of a replacement product are the responsibility of the purchaser unless otherwise expressly authorized in writing by "Carvin". "Carvin", at its discretion, may repair or replace free of charge (F.O.B. factory in St-Hyacinthe, Québec, Canada) any product that proves defective within the warranty period, or it may issue credit in the amount of the invoice of the defective equipment in lieu of its repair or replacement. "Carvin" reserves its right to substitute new or improved equipment on any replacements

REV.2

Les Équipements de Piscines Carvin Inc. •
Carvin Pool Equipment Inc.
4000 Boul. Casavant O. St-Hyacinthe,
(Québec) Canada J2S 9E3
Tél : 450-250-4500 • Fax : 450-250-4501
Sans Frais • Toll Free : 1-866-979-4501
<http://www.carvinpool.com>



WARRANTY REGISTRATION
ENREGISTREMENT DE GARANTIE



Please send this filled Warranty registration to:
S.V.P envoyer cet Enregistrement de Garantie dûment rempli à :

Carvin Pool Equipment Inc.
Les Équipements de Piscines Carvin Inc.
4000 Boul. Casavant O. St-Hyacinthe
(Québec) Canada J2S 9E3

Or/Ou

Fill the Warranty Registration form Online at:
Remplissez le Formulaire d'Enregistrement de Garantie
en ligne au:

<http://www.carvinpool.com/catalog/garantie.php>



- Filter/Filtreur
 Pump/Pompe

Name/Nom _____

Address/Adresse _____

City/Ville _____ Province _____ P.C./C.P. _____

Date of purchase/d'achat _____ Serial No./Série _____

Pool capacity (Imp.Gals.) _____ Filter Model No. _____

Contenance de la piscine (gal.imp.) _____ No. de modèle du filtre _____

Pump make and H.P. _____

Marque et H.P. de la pompe _____

Type of pool Concrete Vinyl Fiberglass New installation Replacement
 Type de piscine Béton Vinyle Fibre de verre Nouvelle installation Remplacement

Old filter make and type/Marque et type de l'ancien filtre _____

Purchase of: Name/Nom _____ Address/Adresse _____

Acheté de: _____

City/ville _____ Province _____ P.C./C.P. _____

Installed by: Name/Nom _____ Address/Adresse _____

Installé par: _____

City/ville _____ Province _____ P.C./C.P. _____

Carvin Pool Equipment Inc.

Les Équipements de Piscines Carvin Inc.

**CARVIN EQUIPMENT INC
LIMITED WARRANTY**

Carvin Equipment Inc. ("Carvin") warrants "Carvin" pool products to be free of defects in material and workmanship for a period of **12 months** from the date of purchase with the following exceptions:

Light Bulbs: Full Moon Watercolor LED light bulbs are warranted for 12 months from the date of purchase; incandescent bulbs are warranted for 90 days from the date of purchase.

Misc: Filter elements, DE grids, white-goods, strainer baskets, strainer basket "flap" and "priming tube", pressure gauges, square rings, o-rings, gaskets, and all replacement parts are warranted for 12 months from the date of purchase.

CONDITION IN ORDER TO EXERCISE THE WARRANTY:

In order to activate this 12 months warranty, "Carvin" products must be registered with "Carvin" by the following method:

Mail-in the Warranty Registration Card.

Online at www.carvinpool.com

All defects must be denounced within 72 hours in order to avoid the spreading to other equipment, failing which, the present warranty will not be honoured. This warranty is non transferable and extends only to the original retail buyer and only during the time in which the original retail buyer occupies the site where the product was originally installed. "Carvin" warranty obligation with regard to equipment which it does not itself manufacture is limited to the warranty actually extended to "Carvin" by its suppliers (i.e. motors).

This warranty applies to products used in swimming pools, spas, & aquaculture applications only and does not apply to any product which has been subjected to negligence, alteration, accident, abuse, misuse, improper installation, abrasives, corrosion, improper voltage supply, vandalism, civil disturbances, or acts of God (including but not limited to damage caused by freezing, lightning strikes, and other damage caused by catastrophic events). The only warranties authorized by "Carvin" are those set forth herein. "Carvin" does not authorize other persons to extend any warranties with respect to its products, nor will "Carvin" assume liability for any unauthorized warranties made in connection with the sale of its products. "Carvin" will not be responsible for any statements that are made or published, written or oral, which are misleading or inconsistent with the facts as published in the literature or specifications furnished by "Carvin".

WARRANTY CLAIM PROCEDURE

Warranty claims shall be made by contacting the installer/seller, builder, dealer, or retailer (point of purchase) or the "Carvin" pool products distributor in your area. All equipment must be inspected by a local "Carvin" authorized representative or at the factory before warranty is authorized. All charges or expenses for freight to and from the factory, removal and reinstallation of the products, or installation of a replacement product are the responsibility of the purchaser unless otherwise expressly authorized in writing by "Carvin". "Carvin", at its discretion, may repair or replace free of charge (F.O.B. factory in St-Hyacinthe, Québec, Canada) any product that proves defective within the warranty period, or it may issue credit in the amount of the invoice of the defective equipment in lieu of its repair or replacement. "Carvin" reserves its right to substitute new or improved equipment on any replacements

REV.2

**Les Équipements de Piscines Carvin Inc.
Garantie Limitée**

Les Équipements de Piscines Carvin Inc. ("Carvin") garantit que les produits de piscine "Carvin" sont exempts de tout défaut de fabrication et de main-d'œuvre pendant une période de 12 mois à compter de la date de l'achat. Les exceptions suivantes s'appliquent :

Ampoules : Les ampoules Aquarelle à DEL Full Moon sont garanties pendant 12 mois à compter de la date de l'achat, les ampoules halogènes sont garanties pendant 90 jours à compter de la date de l'achat.

Divers : Les cartouches filtrantes, les grilles pour terre diatomée, les produits de recirculation (white goods), les paniers protège-crêpine, le clapet et le tube d'amorçage du panier protège-crêpine, les manomètres, les joints d'étanchéité carrés, les joints toriques, les joints d'étanchéité et toutes les pièces de rechange sont garanties pendant 12 mois à compter de la date d'achat.

CONDITIONS D'EXERCICE DE LA GARANTIE :

Afin que cette garantie de 12 mois entre en vigueur, les produits "Carvin" doivent être enregistrés auprès de "Carvin" par le biais de la méthode suivante :

En retournant par la poste la fiche de garantie;

En ligne, au www.carvinpool.com

Toute défectuosité doit être dénoncée à "Carvin", ou à son représentant dans les 72 heures pour éviter le bris d'autres équipements, faute de quoi, la garantie ne sera pas honorée. Cette garantie est non transférable et ne s'applique qu'au premier acheteur au détail, et seulement pendant la période où le premier acheteur au détail occupe l'endroit où le produit a été installé initialement. L'obligation de garantie de "Carvin" concernant l'équipement que l'entreprise ne fabrique pas elle-même est limitée à la garantie offerte à "Carvin" par ses fournisseurs (i.e. moteurs).

Cette garantie ne s'applique qu'aux produits utilisés pour les piscines, les spas et l'aquaculture, et ne s'applique pas aux produits qui ont subi des modifications, un accident, une mauvaise utilisation, une utilisation négligente, une utilisation abusive, une installation incorrecte, des applications d'abrasifs, de la corrosion, une tension incorrecte, du vandalisme, des troubles publics ou une catastrophe naturelle (y compris, notamment, les dommages causés par le gel, la foudre, et tout autre dommage causé par des catastrophes naturelles). Les seules garanties autorisées par "Carvin" sont énoncées dans la présente section. "Carvin" n'autorise aucune autre personne à garantir ses produits, et l'entreprise n'assumera aucune responsabilité face à toute garantie non autorisée faite relativement à la vente de ses produits. "Carvin" ne sera pas tenue responsable de toute déclaration faite ou publiée, écrite ou verbale qui serait trompeuse ou incompatible avec les faits publiés dans la documentation ou les spécifications fournies par "Carvin".

PROCÉDURE DE RÉCLAMATION EN VERTU DE LA GARANTIE

Les réclamations en vertu de la garantie seront faites en communiquant avec l'installateur/vendeur, le constructeur, le revendeur ou le détaillant (point de vente) ou avec le distributeur "Carvin" de votre région. Tout équipement doit être inspecté par un représentant autorisé local de "Carvin" ou à l'usine avant l'autorisation de la garantie. Tous les frais ou toutes les dépenses d'expédition en partance de l'usine ou en direction de celle-ci, pour la désinstallation et la réinstallation des produits, ou pour l'installation d'un produit de remplacement, seront de la responsabilité de l'acheteur, sauf sur autorisation écrite de "Carvin". À sa discrétion, "Carvin" peut réparer ou remplacer sans frais (F.O.B. usine à St-Hyacinthe, Québec, Canada) tout produit qui s'avère défectueux pendant la période de la garantie, ou elle peut émettre un crédit au montant de la facture de l'équipement défectueux au lieu de réparer ou de remplacer le produit. La société se réserve le droit de substituer de l'équipement nouveau ou amélioré lors de tout remplacement.

REV-2