

Dirt Devil®

ATTENTION NEW DIRT DEVIL® CLEANER OWNERS!

BEFORE RETURNING YOUR CLEANER TO THE RETAILER, PLEASE CALL 1-800-448-2343 AND ASK FOR TECHNICAL SERVICE. MOST ISSUES RELATED TO CLEANERS ARE APPLICATION OR INSTALLATION AND OUR FRIENDLY SERVICE TECHNICIANS WILL TYPICALLY BE ABLE TO HAVE YOUR CLEANER UP AND RUNNING IN MINUTES.

Congratulations on the purchase of your new Dirt Devil® Automatic Pool Vacuum. This is an easy and simple way to clean and maintain your pool during the pool season.

Pool Recommendations

Dirt Devil® Above Ground Vacuums (D1000 & D2000) are recommended for use in pools with at least six (6) inches of pool cove height. If it is less than 6" it could affect the cleaners' operation.

Dirt Devil® Above Ground Vacuums require a certain amount of "vacuum" or "suction" to operate. This vacuum is created by the pump which comes with the pool. Some pumps are not capable of providing enough vacuum and will not allow the cleaner to operate properly. In many cases, soft-sided pools come with entry level pump and filter systems that are not capable of operating the Dirt Devil® cleaner. Consult your dealer on the performance of your pump/cleaner combination.

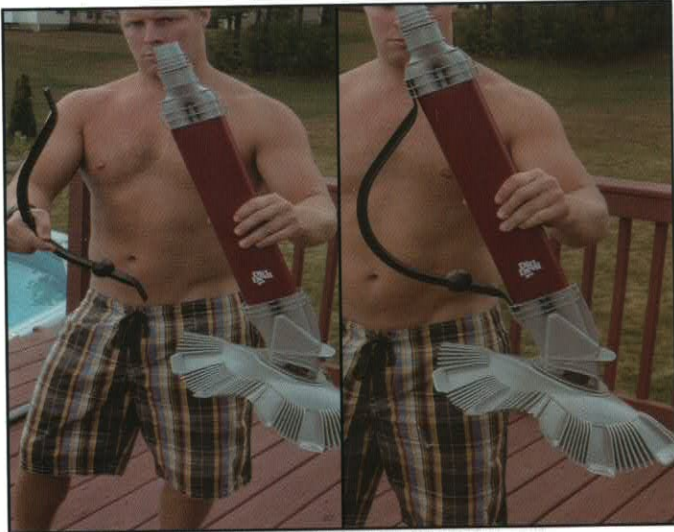


TO REGISTER YOUR DIRT DEVIL® POOL VACUUM WARRANTY WITH GLI POOL PRODUCTS, PLEASE GO TO WWW.GLIPOOLPRODUCTS.COM

Step 1: Attach the Seal

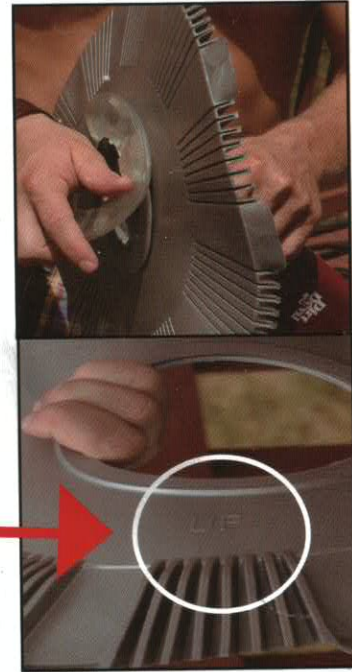
Remove the small foot pad located on the bottom of the cleaner. Slide the large disc over the bottom of the cleaner. There is a groove at the bottom of the cleaner that the Disc fits into - once in, it should rotate freely. MAKE SURE THE SIDE OF THE DISC THAT SAYS "UP" FACES THE SKY WHEN INSTALLED. REINSTALL SMALL FOOT PAD.

Step 2: Attach Bumper Guard



Assembly

Cleaner pictured assembled



UP



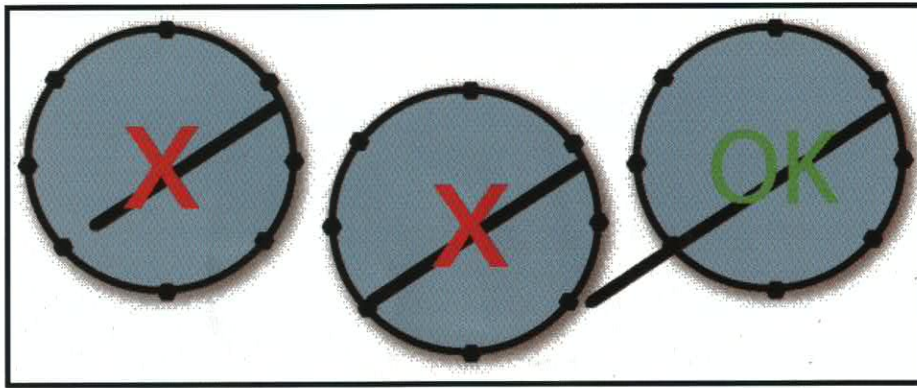
For D1000: Insert bottom of ladder guard (end closest to the weight) into the slot provided on back of cleaner. Insert top end of bumper into slot provided at top of cleaner.

(The D2000 does not need the combo weight ladder guard to operate). For the D1000 or D2000, place the ladder guard provided over the swivel head and gently snap into place. This ladder guard allows the cleaner to run unimpeded in the pool, working away from obstructions that exist - most of the time! Sometimes there can be ladders and wedding steps where, regardless of the ladder guard, the cleaner can become stuck in the corner and will have to be repositioned in another part of the pool or the obstruction removed.

Step 3: Measuring Proper Hose Lengths

The Dirt Devil® Above Ground Vacuums come with a little over 32 feet of hose. This is ideal for a 24' round pool. Any larger than 24' will require additional hoses to be purchased.

The rule of thumb is 2 lengths of hose more than the furthest point of the pool. So simply assemble your hose and measure it from the skimmer to the furthest point plus 2 hoses and you will have the necessary amount of hose to operate the cleaner.



Step 4: Vacuum and Bypass Valve Use

Your cleaning system comes with a combination valve that is used to both measure and determine the appropriate vacuum. In addition, it can be used as a bypass valve as discussed above to create the perfect amount of vacuum for the system. This is only important if you have too much vacuum as it will not be able to enhance pump performance if you have too little vacuum.

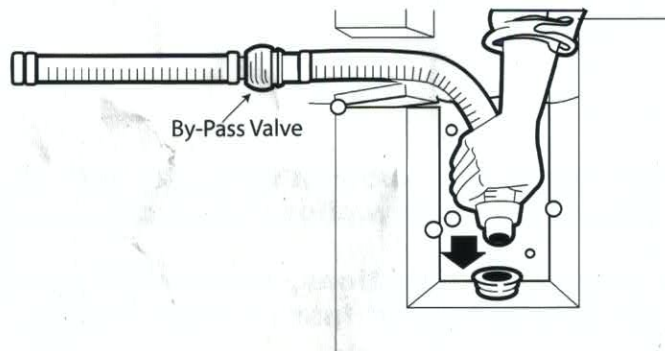
To test vacuum, follow the below instructions and install the valve **with plastic plug on the last hose** (the hose the cleaner would be connected to) and install the other end of your hose system into the skimmer as described below.

The valve will then illustrate the current vacuum you are getting from your system. (see Diagram)

Too Little Vacuum: Cleaner will not operate properly - moving slowly or not at all.

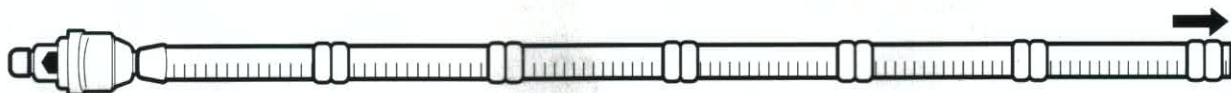
Too Much Vacuum: Cleaner will move very fast, but will not pick up debris as effectively. It could also get stuck in one place. To remedy this, we will use the vacuum gauge without the plug and it becomes a "bypass valve". This will reduce the velocity of the water, or vacuum and allow the product to operate more effectively.

By-Pass Valve Position - Locate by-pass valve between 1st and 2nd hose from the skimmer. This will control the flow of water to the cleaner creates an almost ideal operating environment.



This connects to skimmer or vacuum fitting

Vacuum Test Position -



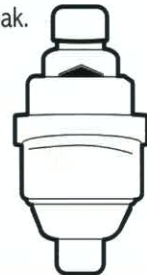
Vacuum Too Strong.



Perfect Vacuum Strength.

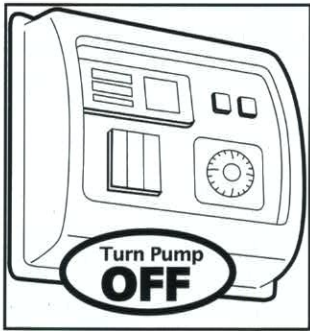


Vacuum Too Weak.

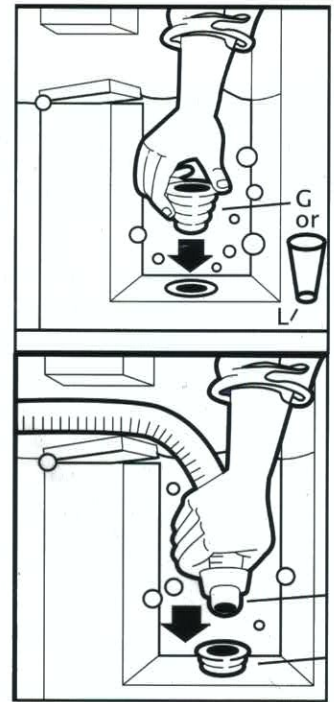


Step 5: Installing and Operating Cleaner

1. Turn the filter pump OFF.



2. Remove skimmer basket and place one of two adapter cones into suction line located in bottom of skimmer. There are two due to variances in skimmer sizes - use the one that best fits your skimmer. Press down until snug.



3. Place your Dirt Devil® vacuum into pool. With hose attached allow it to sink to pool floor. Continue to feed hose vertically down into pool to fill it with water and purge air.
4. Pull end of hose through skimmer opening inside pool, then connect to adapter already installed in suction line.
5. Now that these steps are completed turn pump ON. Watch your Dirt Devil® clean the pool!

Helpful Hints

1. **Simple checklist if cleaner isn't operating properly.**

- Is the filter clean?
- Is pump strainer basket clean?
- Is debris blocking the bottom of the vacuum?
- Are there any leaks or bad connections in hose?

Cleaner Filter
Empty Basket
Remove Debris
Replace hose or firm up connections

2. **When storing the hose and cleaner, DO NOT coil the hose.** Lay it out flat in its original box or in an area protected from direct sunlight. (Figure A)
3. **Enclosed is a patented eyeball fitting.** This is used when the water flow from your return pushes the cleaner hose away from the return thus keeping it from cleaning a portion of your pool. By replacing your existing eyeball fitting, you will resolve this problem as the water will now be diverted closer to the pool wall. (Insert Step 12) (Figure B)
4. **Certain return fittings will not** accept the Dirt Devil® directional eyeball. In many cases, this can be fixed by adding the washer enclosed. Slip head of the eyeball through washer and then install. It should be a tight fit, easily adjusted in the pool.

Figure A

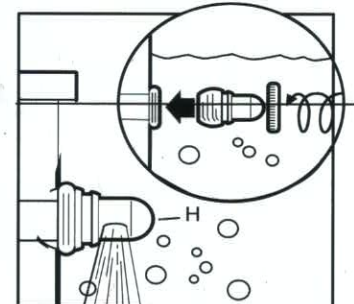


Figure B

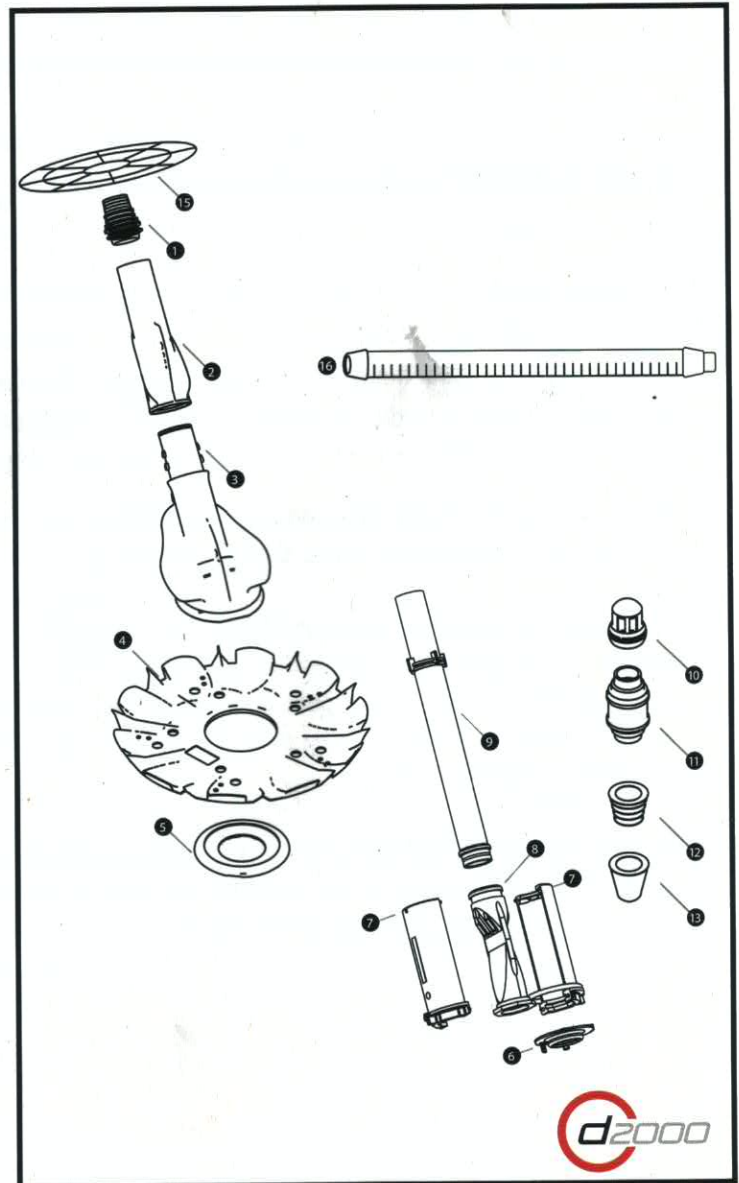
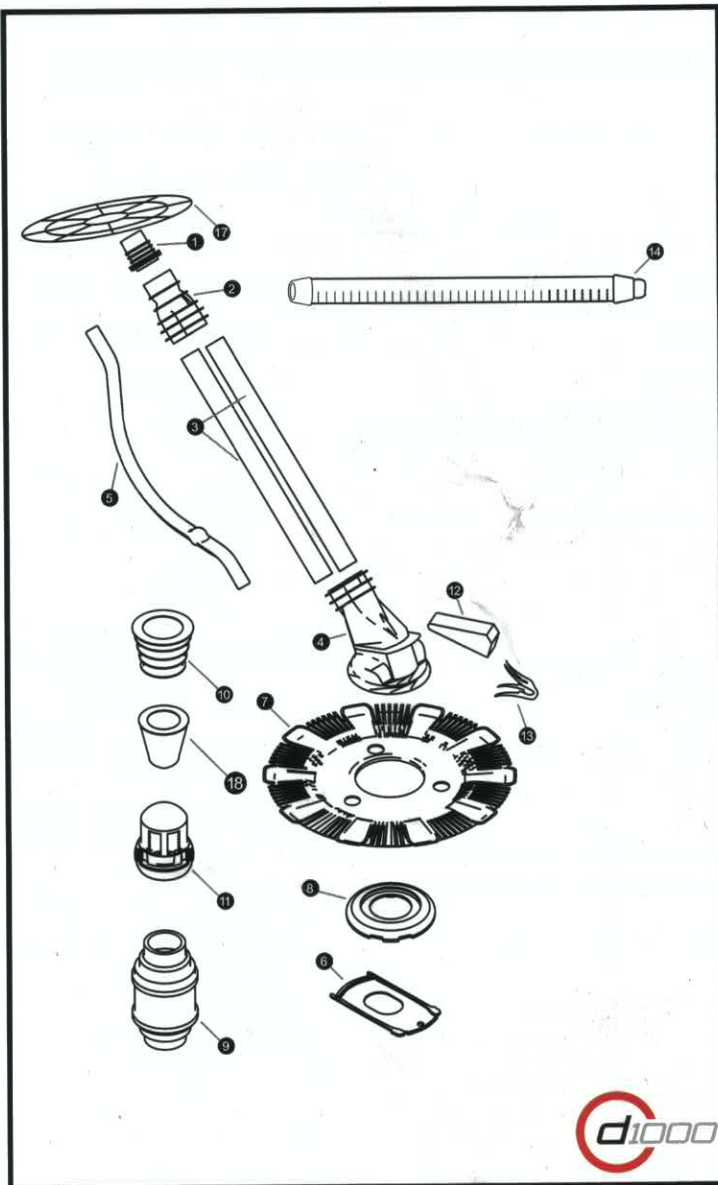
ATTENTION NEW DIRT DEVIL® CLEANER OWNERS!

BEFORE RETURNING YOUR CLEANER TO THE RETAILER, PLEASE CALL 1-800-448-2343 AND ASK FOR TECHNICAL SERVICE. MOST ISSUES RELATED TO CLEANERS ARE APPLICATION OR INSTALLATION AND OUR FRIENDLY SERVICE TECHNICIANS WILL TYPICALLY BE ABLE TO HAVE YOUR CLEANER UP AND RUNNING IN MINUTES.

Parts Breakdown

D1000			
	Part No.	Description	Qty
1	99-35-46001051R	Connector, Swivel w/bearing	1
2	-	Housing Tube, Upper	1
3	-	Inner Tube	2
4	-	Housing Tube, Lower	1
5	99-35-46001092R	Bumper Guard w/ Weight	1
6	99-35-46001066R	Cover Inlet	1
7	99-35-46001060R	Large Disc, Ribbed/Solid	1
8	99-35-46001080R	Foot Pad	1
9	99-35-46001070R	By-Pass Valve	1
10	99-35-46001090R	Hose Cone, Ribbed	1
11	99-35-46001085R	Inlet Flow Control	1
12	99-35-46001065R	Flapper w/Spring	1
13	99-35-46001067R	Spring Flapper	1
14	99-35-46001050R	Hose, Male-Female	13
16	-	Cover, Internal Tube	1
17	99-35-46001095R	Ladder Guard	1
18	99-35-46001091R	Hose Cone, Small	1

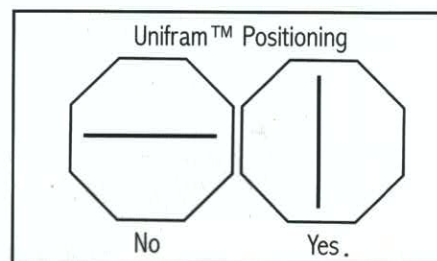
D2000			
	Part No.	Description	Qty
1	99-35-46001051R	Connector, Swivel w/bearing	1
2	-	Housing Tube, Upper	1
3	-	Inner Tube	1
4	99-35-46001062R	Large Disc, Finned	1
5	99-35-46001080R	Food Pad	1
6	99-35-46001053R	Cleaner Throat Inlet	1
7	99-35-46001063R	Cassette w/Unfram	1
8	99-35-46001099R	Unifram	1
9	99-35-46001052R	Internal Tube	1
10	99-35-46001085R	Inlet FlowControl	1
11	99-35-46001070R	By-pass Valve	1
12	99-35-46001090R	Hose Cone, Ribbed	1
13	99-35-46001091R	Hose Cone, Small	1
14	99-35-46001075R	Hose Weight (Optional)	1
15	99-35-46001095R	Ladder Guard	1
16	99-35-46001050R	Hose, Male-Female	13



4. **Important for Vinyl Pool Owners.** Vinyl liners are subject to deterioration or damage due to age, the effects of chemicals, corrosion or failure of the supporting walls: as well as improper installation. Before installing your Dirt Devil® pool vacuum, inspect the interior of your pool carefully. If your vinyl liner is brittle or has stones, roots, wrinkles, metal corrosion in contact with the underside of the liner, or has damage to the base material or supporting walls, do not install the Dirt Devil® pool vacuum before having a qualified pool professional perform the necessary repairs or modifications. GLI will not be responsible for the liner damage caused by a cleaner out of warranty or one that has been used in a pool having an aged or deteriorated liner. You are responsible for liner damage if you use the Dirt Devil® Pool Vacuum under these conditions.
5. **Though we include the ladder guard as a convenience,** we do recommend that the ladder be removed from the pool when the cleaner is in operation.
6. **If the cleaner stops moving,** it is typically a blockage in the flapper or Unifram™ area. These parts are located inside the main body of the cleaner and easily cleaned.
 - a. Step 1: Turn pump OFF.
 - b. Step 2: Remove the cleaner from pool, turn over, and inspect the flapper or Unifram™. The flapper should move freely and there should be no obvious stones, twigs or other debris clogging this area.
 - c. If you see debris and can't remove it with your fingers, remove the base plate (plate where the debris goes when vacuuming). Using a small flat headed screwdriver, push on one of the two tabs located on the side of the base plate. Release the plate and remove the flapper or Unifram™ and clean out.
 - d. Then replace the flapper or Unifram™, snap base plate back into place and put cleaner back into the pool.
 - e. Turn pump ON.

Note: Unifram™ must be installed with opening in a vertical position.

Also, check your skimmer and pump baskets, if they are full, the cleaner may not be getting full vacuum. Empty them per manufacturer's instructions.



To register your Dirt Devil® pool vacuum warranty with GLI Pool Products, please go to www.glipoolproducts.com

For assembly or installation questions, please visit our website to view our new Dirt Devil® Instructional Videos.

GLI Pool Products • 215 Sinter Court, Youngstown, OH 44510 • www.glipoolproducts.com

Nothing escapes the power of a
Dirt Devil.